

# PARTS

## B PARTS

- 1. Battery Box Lid
- 2. Rear Sub-frame
- 3. Front Sub-frame
- 4. Radius Arm Holder (right lower)
- 5. Radius Arm Holder (left lower)
- 6. Radius Arm Holder (upper)
- 7. Cowling (inside)
- 8. Inside Part of Cockpit
- 9. Coolant Water Pipe
- 10. Bulkhead (B)
- 11. Shift Lever Parts
- 12. Stabilizer Mount (right)
- 13. Stabilizer Mount (left)
- 14. Switch
- 15. Cockpit
- 16. Bulkhead (A)
- 17. Rack
- 18. Switch Part

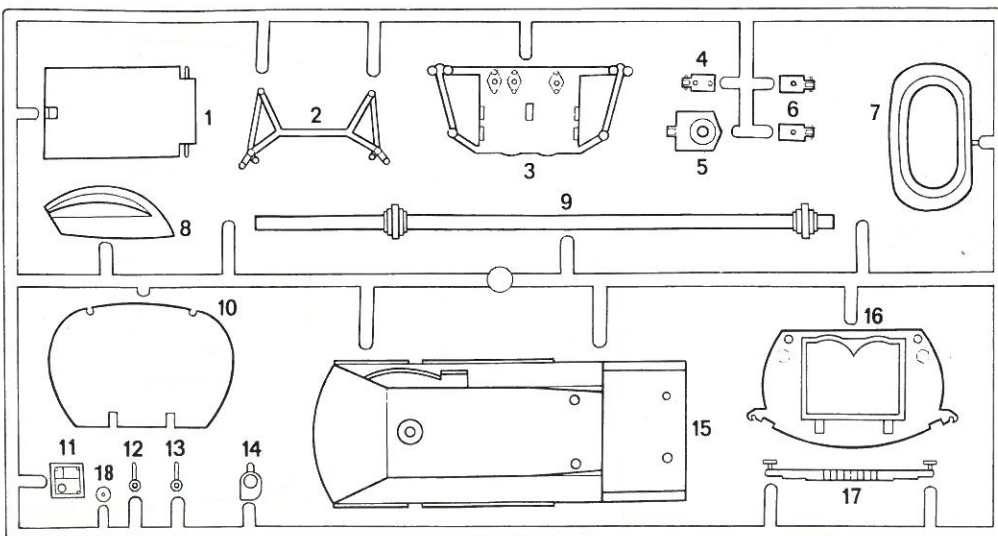
## D PARTS

- 1. Half Shaft (Engine Side)
- 2. Half Shaft (Engine Side)
- 3. Half Shaft (Engine Side)
- 4. Half Shaft (Engine Side)
- 5. Rear View Mirror (A)
- 7. Half Shaft Pin (Unnecessary)
- 8. Half Shaft (Middle)
- 9. Half Shaft (Middle)
- 10. Upper Arm (right)
- 11. Upper Arm (left)
- 12. Exhaust Pipe Arm
- 13. Air Intake
- 15. Rear View Mirror (B)
- 16. Radius Arm (right upper)
- 17. Radius Arm (left upper)
- 18. Lead Arm
- 19. Reverser Tank
- 20. Stabilizer
- 21. Front Damper (A)
- 22. Rear Damper (A)
- 23. Stabilizer Rod
- 24. Stabilizer Rod Adjustment Click
- 25. Front Stabilizer Crank
- 26. Radiator Support (left)
- 27. Radiator Support (right)
- 28. Half Shaft (wheel side)
- 29. Half Shaft (wheel side)
- 30. Roll Bar (A)
- 31. Roll Bar (B)
- 32. Master Cylinder Cap for Clutch
- 33. Oil Tank Cap
- 34. Master Cylinder Cap for Brake
- 35. Lower A-Arm
- 36. Fuel Cap
- 37. I-Arm
- 38. Front Stabilizer Rod
- 39. Lower Radius Arm
- 40. Front Arm (right)
- 41. Reverser Tank Cap
- 42. Front Arm (left)
- 43. Fuel Injection Nozzle (A)
- 44. Fuel Injection Nozzle (B)
- 45. Front Stabilizer
- 46. Shift Rod
- 47. Oil Tank Cap

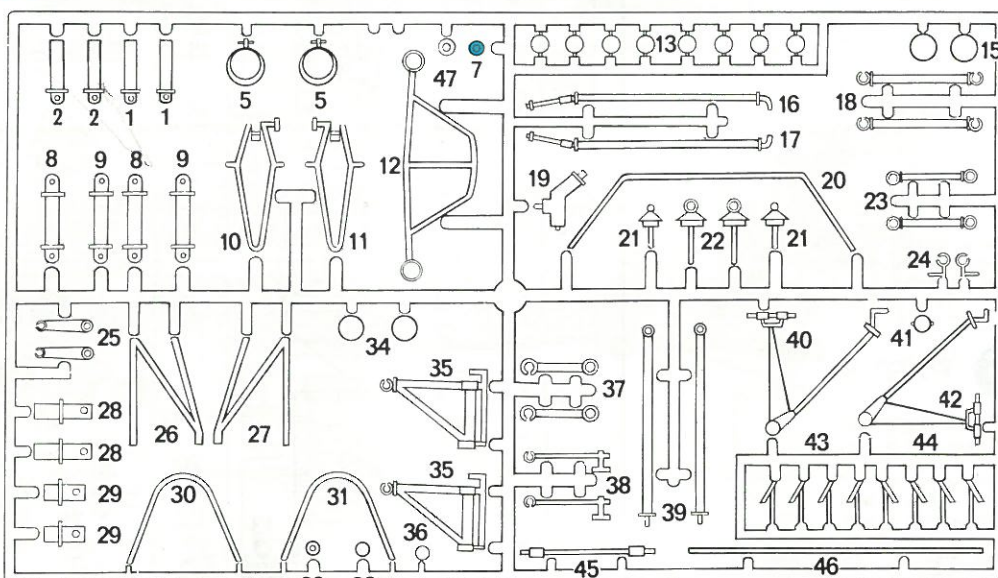
## E PARTS

- 1. Cam Cover (left)
- 2. Cam Cover (right)
- 3. Steering Rod Joint
- 4. Radiator (A)
- 5. Radiator (B)
- 6. A, C Generator
- 7. Rear Upright C
- 8. Dashboard
- 11. Shift Lever
- 13. Brake Disk (front A)
- 14. Brake Disk (rear A)
- 15. Brake Disk B
- 16. Rear Upright (B right)
- 17. Rear Upright (B left)
- 18. Rear Upright (A left)
- 19. Rear Upright (A right)
- 20. Steering Wheel
- 21. Transistor Box's Panel
- 22. Front Upright (right)
- 23. Front Upright (left)
- 24. Transistor Box (left)
- 25. Transistor Box (right)
- 26. Distributor A
- 27. Cross Section
- 28. Front Damper B
- 29. Rear Damper B
- 30. Front Damper C
- 31. Rear Damper C

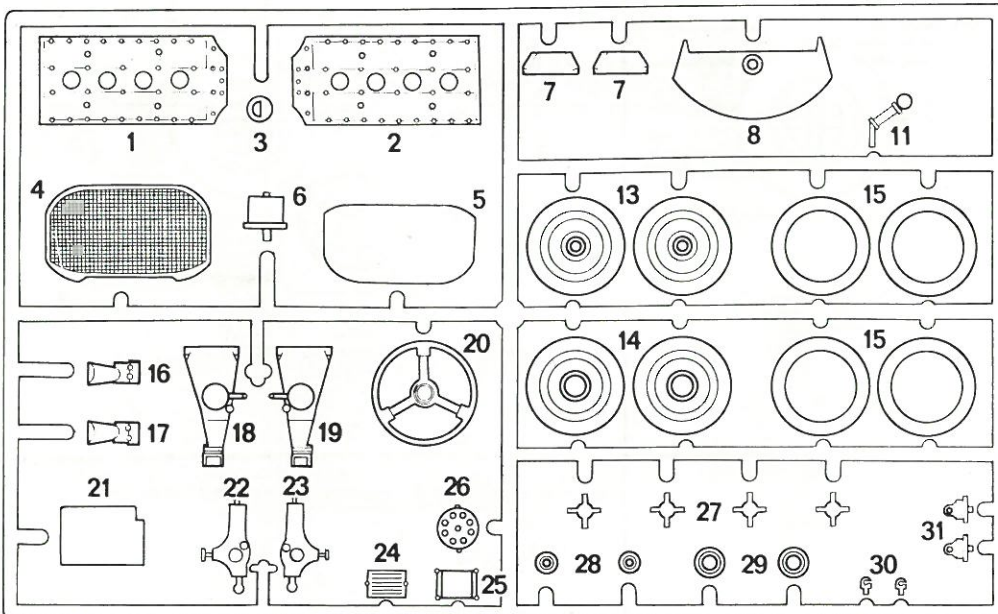
## B PARTS



## D PARTS



## E PARTS



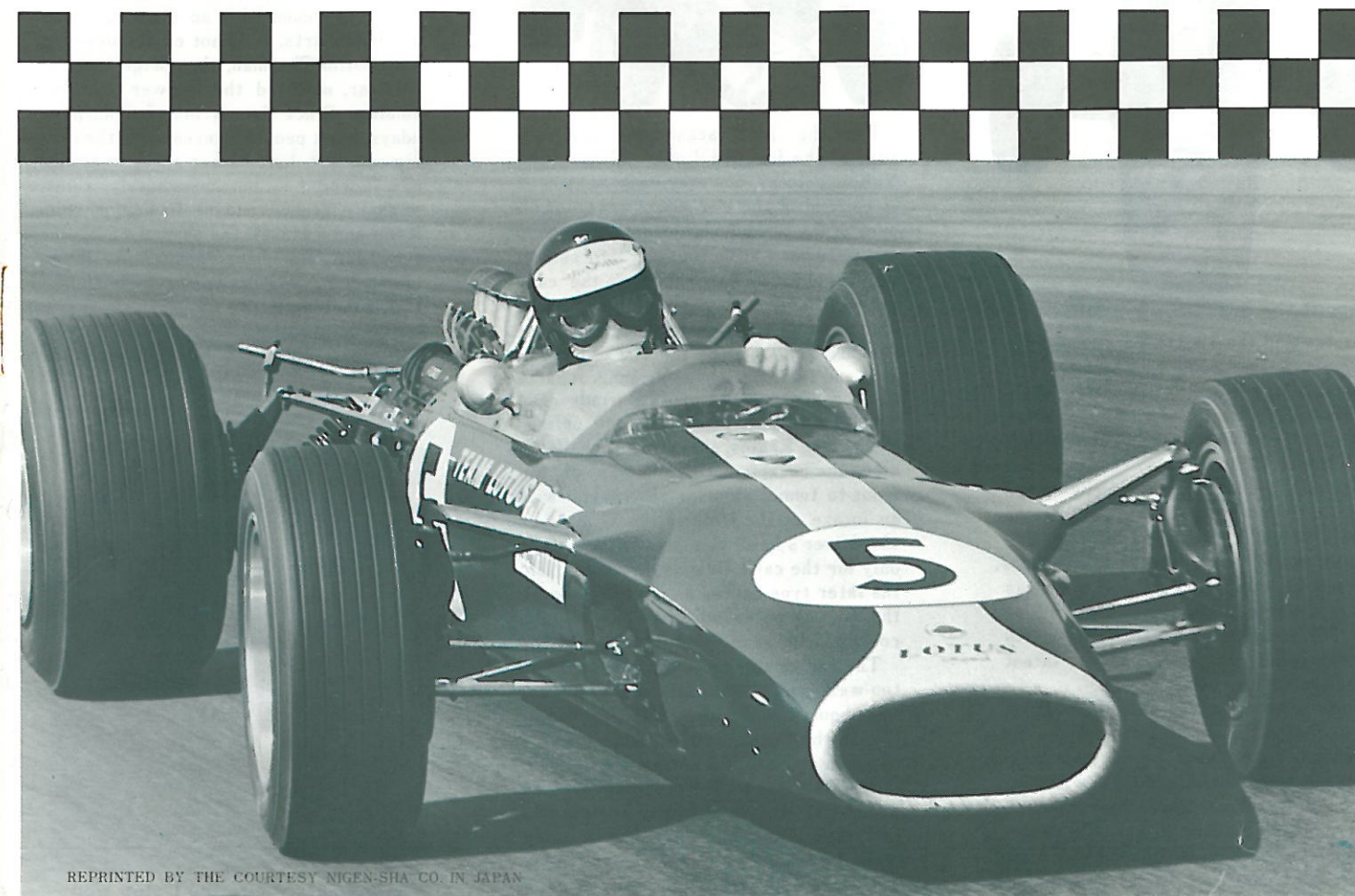
# LOTUS 49 FORD F-1

## 1:12 IDENTICAL SCALE BIG SCALE 2



### TAMIYA

TAMIYA PLASTIC MODEL CO.



REPRINTED BY THE COURTESY NIGEN-SHA CO. IN JAPAN

